

Glass Patch Fittings Technology





Glass patch & Pull handles

► Holistic Designs



Hettich Glass door systems: Holistic solutions

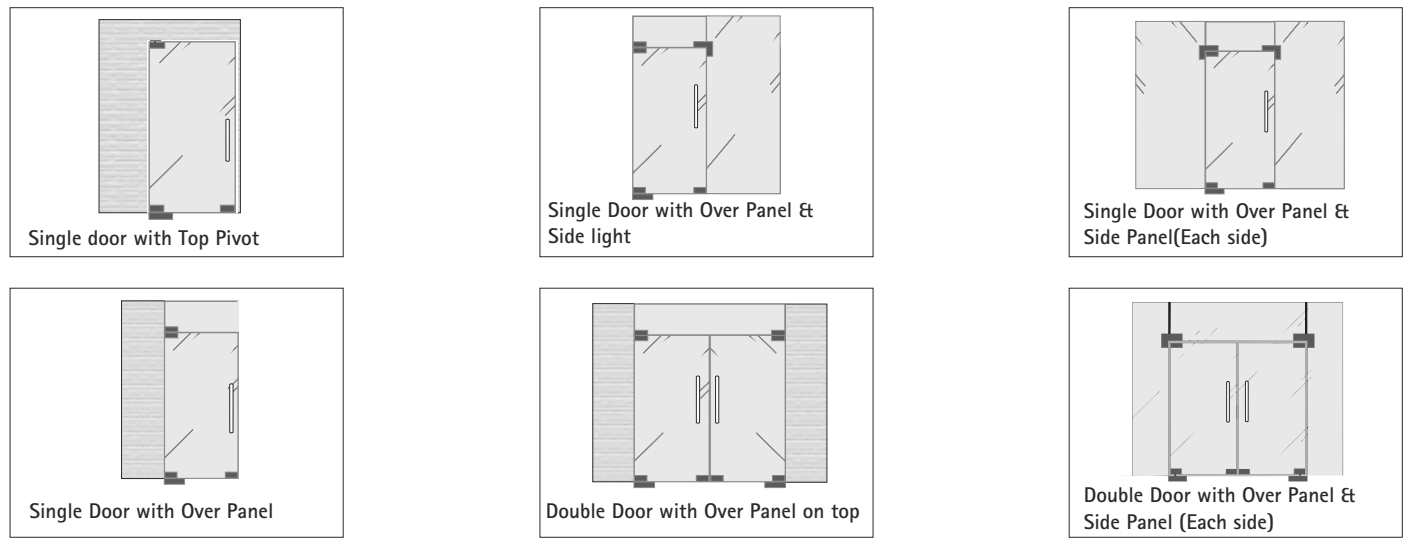
The single component in different executions and finishes offer you system technology for the glass door also in high-end quality: locks, hinges and levers made of aluminium, zinc-diecasting or stainless steel for the use on glass doors based on DIN 18251 and EN 1906. With their form, construction and surface they comply with the holistic solutions of door hardware. The complete programme of glass door handles has been well thought through. It is completed by hinges, handle sets & lock combinations as well as door closer and floor springs.

Glass Hardware Range

Patch Fittings Page No: 250-252



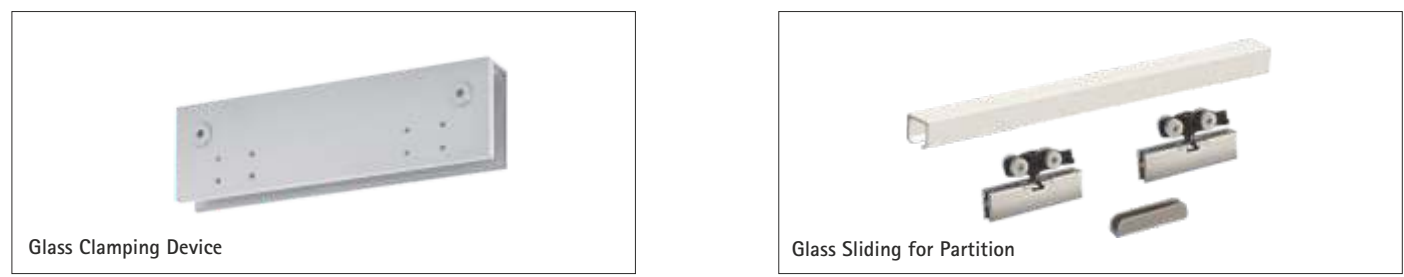
Patch Fitting Sets as per door designs Page No: 253-254

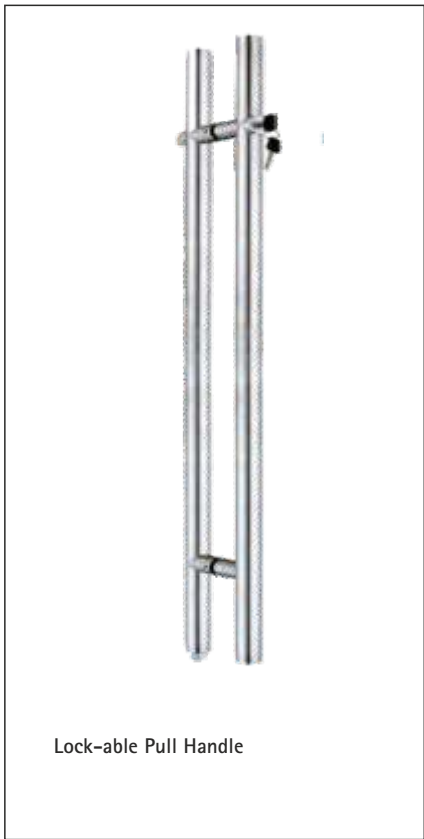
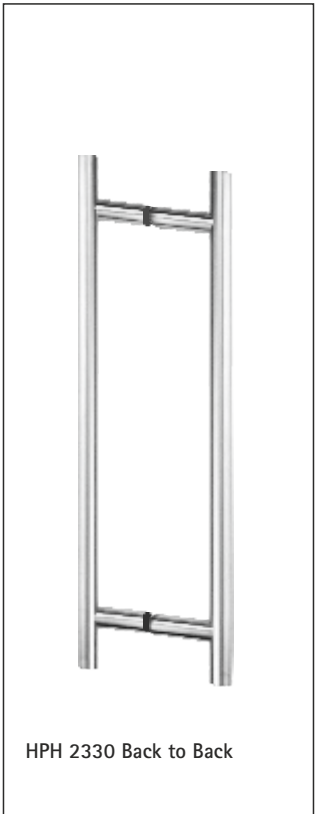


Patch Connectors Page No: 255



Special Solutions Page No: 256

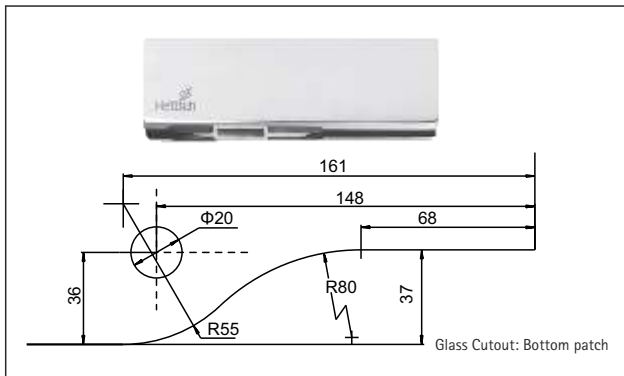




Glass Door Hardware

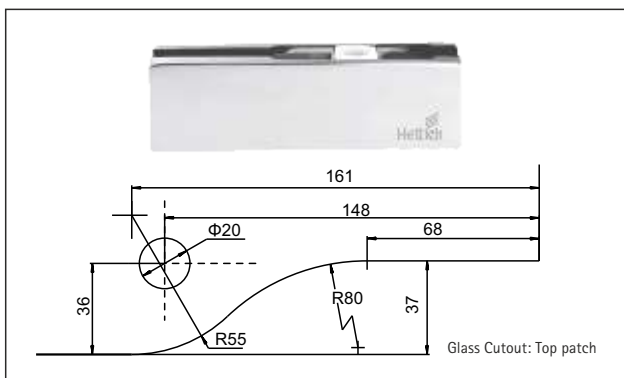
► Patch Fittings

Bottom patch



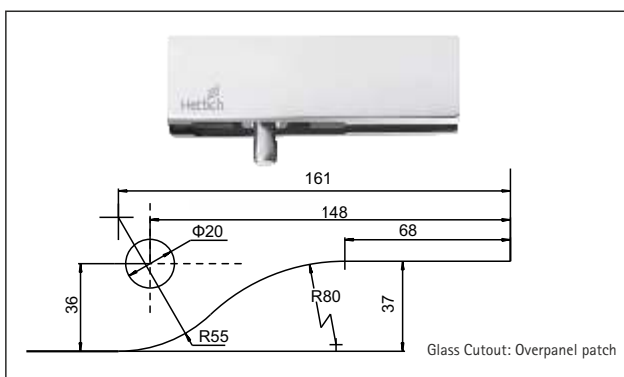
S.no.	Description	Unit	Article No.	PU
1	HGF 100 : Bottom Patch	Set	9 228 265	01

Top patch



S.no.	Description	Unit	Article No.	PU
1	HGF 200 : Top Patch	Set	9 228 266	01

Overpanel patch

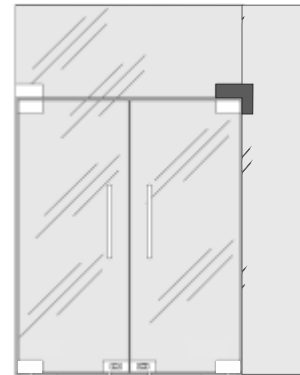
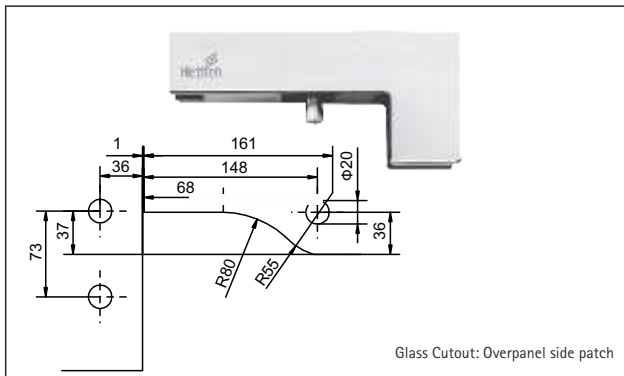


S.no.	Description	Unit	Article No.	PU
1	HGF 300: Overpanel Patch	Set	9 228 267	01

Glass Door Hardware

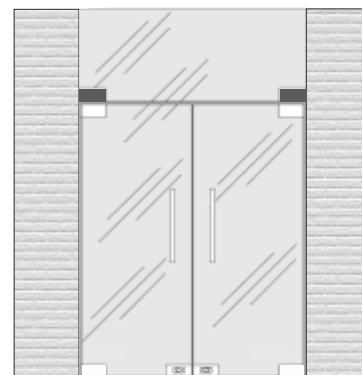
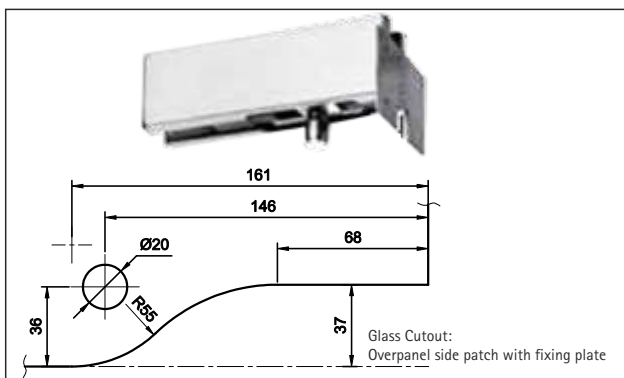
► Patch Fittings

Overpanel Side Patch



S.no.	Description	Unit	Article No.	PU
1	HGF 400 : Overpanel side Patch	Set	9 228 268	01

Overpanel patch with fixing plate

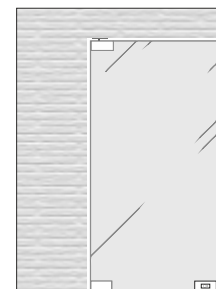


S.no.	Description	Unit	Article No.	PU
1	HGF 930 : Overpanel Patch with Fixing Plate	Set	9 228 275	01

Top pivot for Top patch



► Top pivot for Top patch

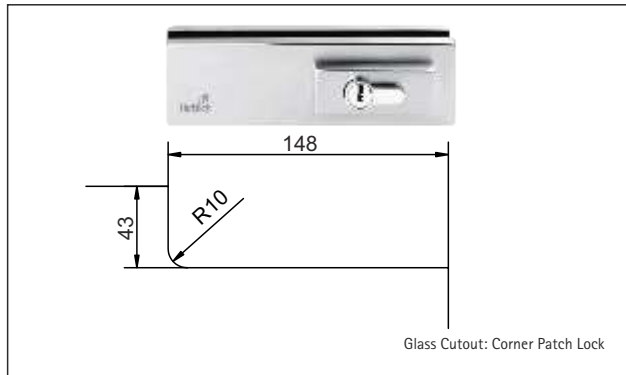


S.no.	Description	Unit	Article No.	PU
1	HGF 800: Fixed top pivot for top patch	Set	9 228 458	01

Glass Door Hardware

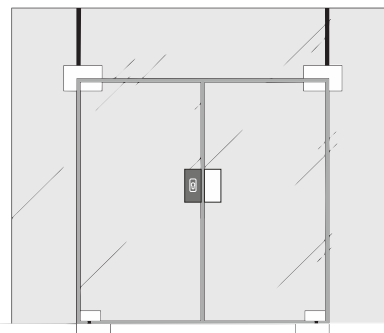
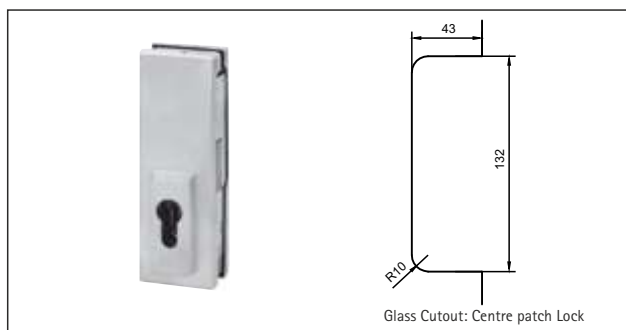
► Patch Fittings

Corner Patch lock



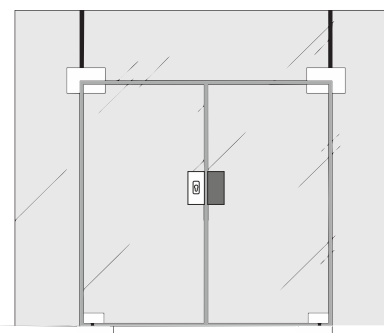
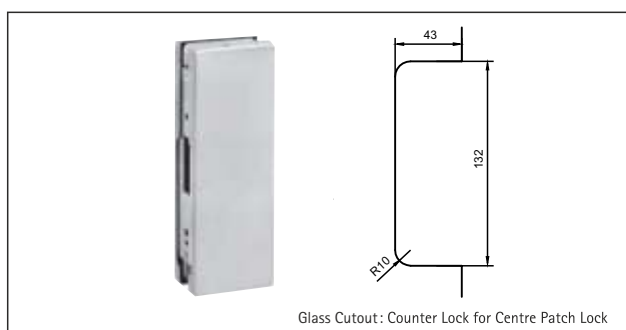
S.no.	Description	Unit	Article No.	PU
1	HGF 500 : Corner Patch lock	Set	9 228 269	01
2	HSCL 60 : Both side key 60 mm (Please order Separately)	Set	9 228 171	01

Centre Patch Lock



S.no.	Description	Unit	Article No.	PU
1	HGF 600 : Centre patch Lock	Set	9 228 270	01
2	HSCL 60 : Both side key 60 mm (Please order Separately)	Set	9 228 171	01

Counter Lock for Centre Patch Lock

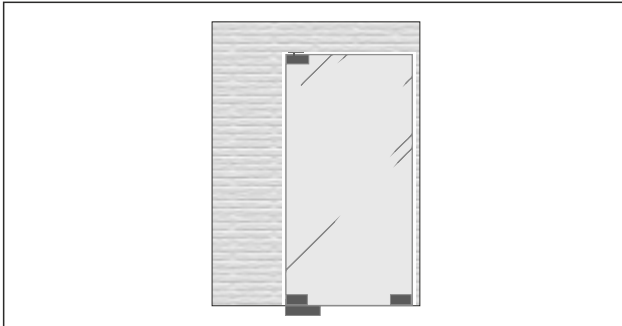


S.no.	Description	Unit	Article No.	PU
1	HGF 700 : Counter Lock for Centre Patch Lock	Set	9 228 271	01

Glass Door Hardware

► Patch set

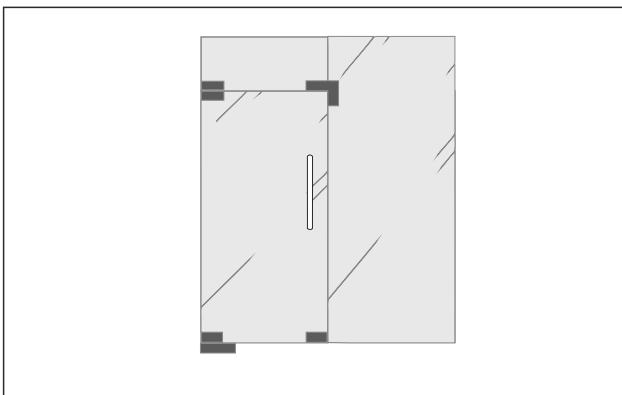
Single door with Top Pivot for Top Patch Set



- 1 Top pivot for Top Patch
- 1 Top Patch
- 1 Bottom Patch
- 1 Patch Lock

Description	Unit	Article No.	PU
Top pivot for Top Patch	Pc	9 228 458	01
Top Patch	Pc	9 228 266	01
Bottom Patch	Pc	9 228 265	01
Corner Patch Lock	Pc	9 228 269	01
Single door with Top Pivot for Top Patch Set	Set		01

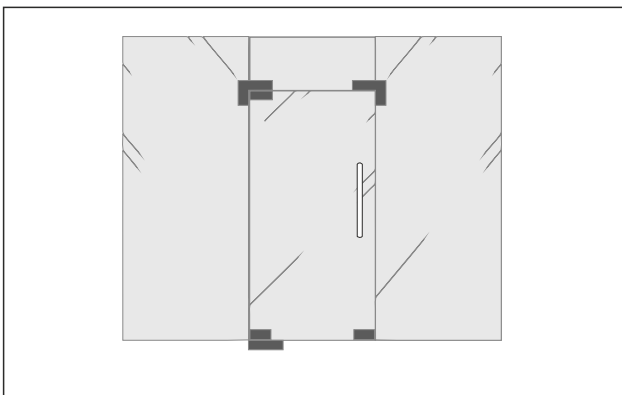
Single door with Overpanel & Sidelight



- 1 Overpanel Patch
- 1 Connector for Overpanel / Sidepanel
- 1 Bottom Patch
- 1 Top Patch
- 1 Patch Lock

Description	Unit	Article No.	PU
Overpanel Patch	Pc	9 228 267	01
Connector for Overpanel / Sidepanel	Pc	9 228 276	01
Bottom Patch	Pc	9 228 265	01
Top Patch	Pc	9 228 266	01
Corner Patch Lock	Pc	9 228 269	01
Single door with Overpanel & Sidelight set	Set		01

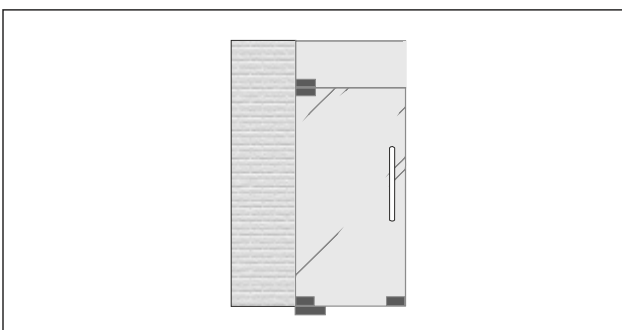
Single door with Overpanel & Sidepanels (each side)



- 1 Overpanel side patch
- 1 Connector for Overpanel / Sidepanel
- 1 Bottom Patch
- 1 Top Patch
- 1 Patch Lock

Description	Unit	Article No.	PU
Overpanel side patch	Pc	9 228 268	01
Connector for Overpanel / Sidepanel	Pc	9 228 276	01
Bottom Patch	Pc	9 228 265	01
Top Patch	Pc	9 228 266	01
Corner Patch Lock	Pc	9 228 269	01
Single door with Overpanel & Sidepanels (each side)	Set		01

Single door with Overpanel on top



- 1 Overpanel Patch with fixing plate
- 1 Top Patch
- 1 Bottom Patch
- 1 Patch Lock

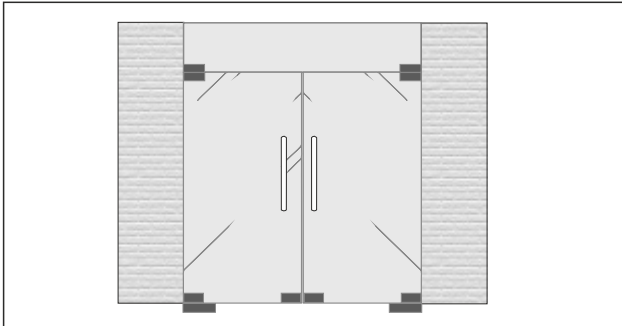
Description	Unit	Article No.	PU
Overpanel Patch with fixing plate	Pc	9 228 275	01
Top Patch	Pc	9 228 266	01
Bottom Patch	Pc	9 228 265	01
Corner Patch Lock	Pc	9 228 269	01
Single door with Overpanel on Top Patch set	Set		01

Note: For Floor Spring refer Floor Spring Section & Euro profile cylinder (60 mm) refer Locking Solution Section and Order Separately

Glass Door Hardware

► Patch set, Glass Connectors

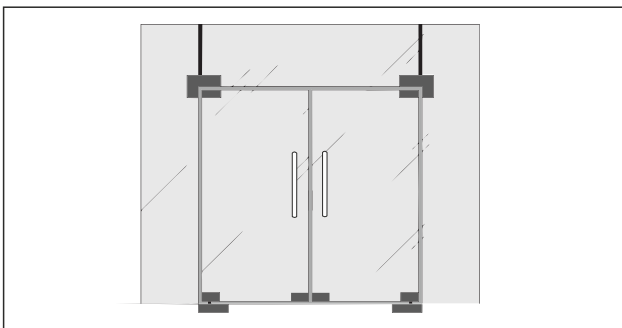
Double door with Overpanel on top



- 2 Overpanel Patch with fixing plate
- 2 Top Patch
- 2 Bottom Patch
- 2 Patch Lock

Description	Unit	Article No.	PU
Overpanel Patch with fixing plate	Pc	9 228 275	01
Top Patch	Pc	9 228 266	01
Bottom Patch	Pc	9 228 265	01
Corner Patch Lock	Pc	9 228 269	01
Double door with Overpanel on Top Patch set	Set		01

Double door with Overpanel & Sidepanels (each side)

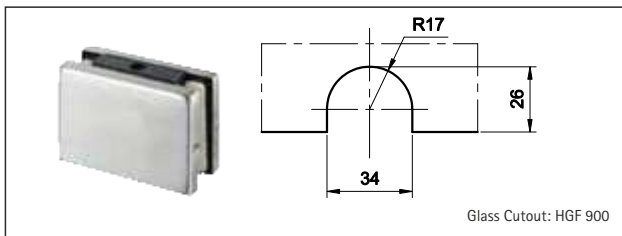


- 2 Overpanel side patch
- 2 Bottom Patch
- 2 Top Patch
- 2 Patch Lock

Description	Unit	Article No.	PU
Overpanel side patch	Pc	9 228 268	01
Top Patch	Pc	9 228 266	01
Bottom Patch	Pc	9 228 265	01
Corner Patch Lock	Pc	9 228 269	01
Double door with Overpanel & Sidepanels(each side)	Set		01

Note: For Floor Spring refer Floor Spring Section & Euro profile cylinder (60 mm) refer Locking Solution Section and Order Separately

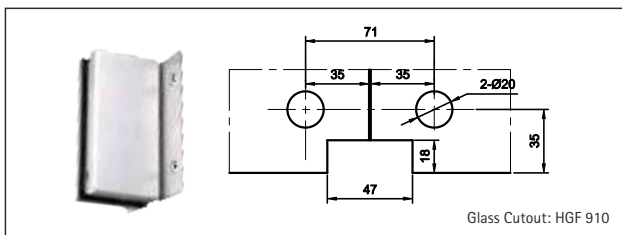
Glass Connectors



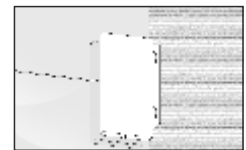
- Wall to glass one panel
- Weight carrying capacity 20 kg/pair



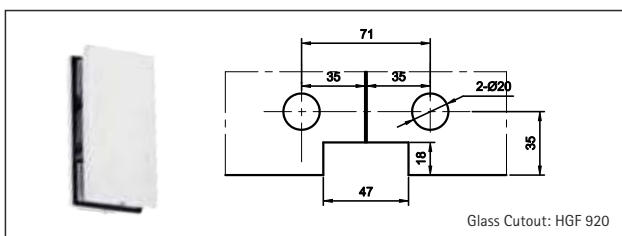
Description	Unit	Article No.	PU
HGF 900	Pc	9 228 272	01



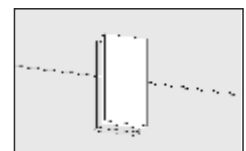
- Wall to glass two panels
- Weight carrying capacity 20 kg/pair



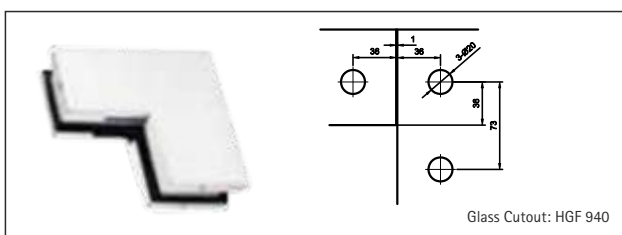
Description	Unit	Article No.	PU
HGF 910	Pc	9 228 273	01



- Glass to glass two panels
- Weight carrying capacity 20 kg/pair



Description	Unit	Article No.	PU
HGF 920	Pc	9 228 274	01



- Connector for overpanel
- Weight carrying capacity 20 kg/pair



Description	Unit	Article No.	PU
HGF 940	Pc	9 228 276	01