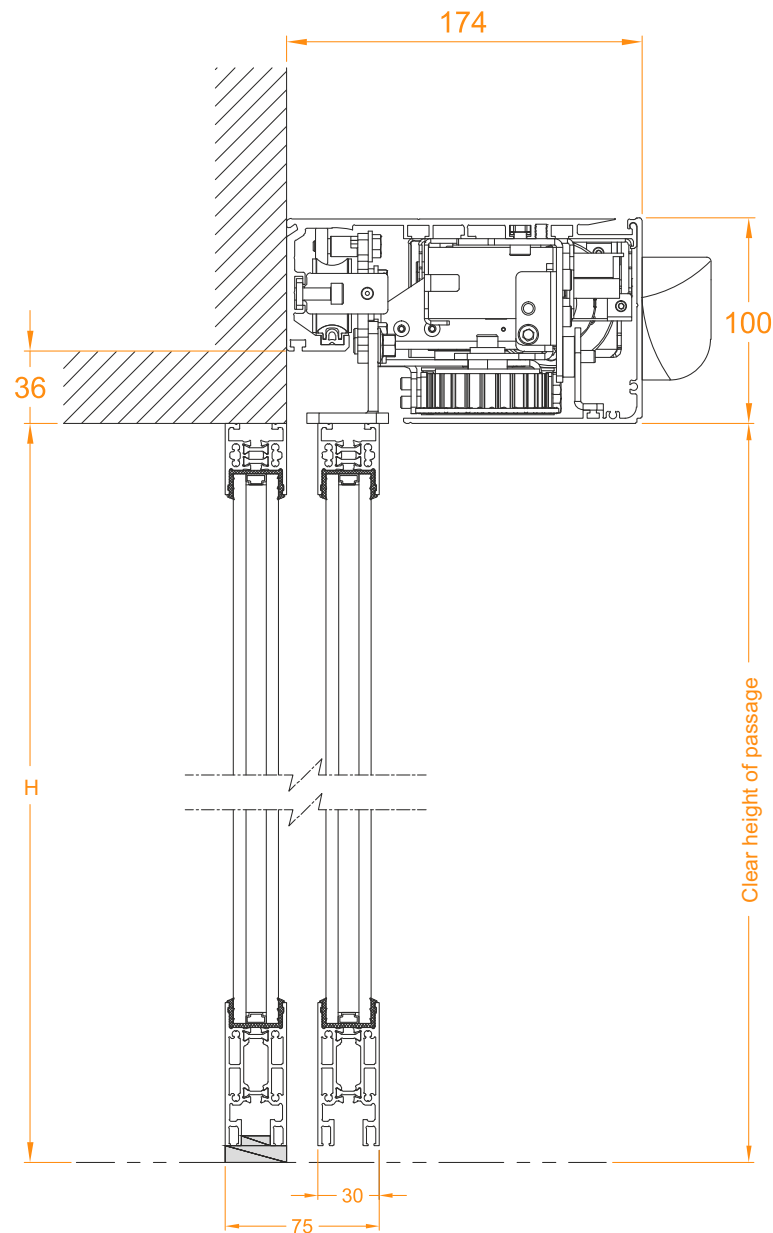




PRIMEDRIVE
Automatic Sliding Door

By bringing original design, simple aesthetic qualities and top-notch German technology together, we have managed to create dependable and powerful sliding entry solutions. Many and various interior or exterior applications can benefit from our PrimeDrive systems. From undemanding entrances to places with high traffic, doors with normal or triple-glazing glass, average-sized entries or tall wide heavy doors, normal passages or escape routes, Deuschtec has the system to meet your needs. Deuschtec PrimeDrive series are there to gift any architecture with a stunning look. Whether you are searching for a unique entrance for your next project or you wish to give your building a whole new look, our PrimeDrive series will make you beam with satisfaction.

At Deuschtec, we have given our all to design a product which not only is engaging and pleases the eye, but also maintains the finest levels of quality imaginable. Your facade will welcome everyone with its unique Deuschtec charm and appeal! Our PrimeDrive series sleek profiles are able to match an extensive range of finishes to make sure you get the exact color you had wished for. Impossible has no place at Deuschtec!





Your safety is of paramount importance to Deuschtec and this is the reason why we are presenting you with our PrimeDrive series' escape models. These highly secure entry solutions are specially designed and produced for escape routes and emergency exits but can also be applied in normal entrances. We have ensured your safety by meeting the most stringent standards of DIN18650, EN 16005, EN60335, EN13849. Deuschtec PrimeDrive has the escape model of PrimeDrive/FR, which enjoys the outstanding features of normal sliding entry solutions along with two motors and two control boxes.

The incredible system drives doors by one Gear Motor and Controller (Slave) for opening cycles and the other Gear Motor and Controller (Master) for closing cycles. This exceptional feature will come to the rescue when for any reason, one motor-control box set breaks down. In this case, the other set will keep the door open and enables emergency exit. Furthermore, such function ensures more than doubled life time and silent operation, hence will save your budget in long-term. Using 2.2 Ah battery, you can be certain that at the time of power-cut, the system will keep the door open for safe exit.



	PrimeDrive239	PrimeDrive240	PrimeDrive/FR
opening width - single panel	800 - 2.000 mm	800 - 2.000 mm	800 - 2.000 mm
opening width - double panel	1.000 - 3.000 mm	1.000 - 3.000 mm	1.000 - 3.000 mm
max leaf weight, single	150 kg	200 kg	200 kg
max leaf weight, double	2 x 100 kg	2 x 150 kg	2 x 150 kg
operator height	100 mm	100 mm	100 mm
operator depth	177 mm	177 mm	177 mm
opening speed	100 - 550 mm/s	100 - 550 mm/s	100 - 550 mm/s
closing speed	100 - 500 mm/s	100 - 500 mm/s	100 - 500 mm/s
hold-open time	0 - 30 s	0 - 30 s	0 - 30 s
ambient temperature	-15 to +50°C	-15 to +50°C	-15 to +50°C
protection class	IP20	IP20	IP20
100% german-made operator kit	✓	✓	✓
track profile	aluminum or stainless steel (Optional)	aluminum or stainless steel (Optional)	aluminum or stainless steel (Optional)
anti-noise rubber profile	✓	✓	✓
external protected power supply	✓	✓	-
input power	230V AC±10%, 50/60Hz	230V AC±10%, 50/60Hz	230V AC±10%, 50/60Hz
gear motor power	50 W	100 W	100 W
2nd motor for emergency opening	-	-	complete unit
max power consumption	200 W	250 W	250 W
backup battery for emergency opening	-	-	✓
max operation cycles with 2.2 Ah backup battery (Optional)	450	400	-
max operation cycles with 7.2 Ah backup battery (Optional)	1.100	1.000	-
possibility to adjust force limitation according to DIN18650 and EN16005	-	-	✓



	PrimeDrive239	PrimeDrive240	PrimeDrive/FR
possibility to use safety sensors with testing signal for opening direction	✓	✓	-
emergency exit routes in both directions	-	-	✓
mechanical key switch (Optional)	✓	✓	✓
24V DC output for external accessories	✓	✓	✓
Power Lock	✓	✓	✓
possibility of using electromechanical lock (Optional)	✓	✓	✓
lock monitoring	✓	✓	✓
possibility of using digital programme switch (Optional)	✓	✓	✓
read-out error memory with error codes (with digital programme switch)	✓	✓	✓
programmable output (Optional)	✓	✓	✓
programmable input (Optional)	✓	✓	✓
possibility of using more software and hardware options by using DEAP device (Optional)	✓	✓	✓
possibility of using highly secure electromechanical multi-point lock (HSML)	✓	✓	✓

Frame types:			
TBS	✓	✓	✓
THB	✓	✓	✓
UTS	✓	✓	✓
Saturn	✓	✓	-
Frameless	✓	✓	-



	PrimeDrive239	PrimeDrive240	PrimeDrive/FR
DIN 18650	✓	✓	✓
EN 16005	✓	✓	✓
EN 60335	✓	✓	✓
EN ISO 13849-1:2008	✓	✓	✓
AutSchR	-	-	✓
TÜV approved	✓	✓	✓
CE conformity	✓	✓	✓
tested for 1,000,000 cycles	✓	✓	✓





By drawing on the most advanced German engineering technology together with a fruitful collaboration with German electronic manufacturers, Deuschtec PrimeDrive series' controlling microprocessor circuit boards have been made to respond to all European Union and German necessities such as machinery directive, electromagnetic compatibility (EMC) and low voltage directives. Moreover, its software and electronic design have met all relevant German and European standards such as DIN18650, EN16005 and EN13849. These distinguishing features guarantee the highest levels of security and the most durable system. Furthermore, due to the use of sophisticated technologies to save energy and resources, you can be justly proud of enjoying an eco-friendly technology!

Some other points worth mentioning are:

- Ability to work with battery in case of power-cut for non-escape models.
- Ability to charge and perfectly maintain the battery which brings the battery a much longer lifetime.
- Ability to match with various types of sensors available in the market.
- Ability to be adjusted and programmed by digital key switch.
- Self-diagnose and error detection.
- Having standard RS485 interface for connecting to other accessories.
- Ability to automatically adjust speed and slopes according to input voltage changes.
- Ability to work with 20% higher or lower than nominal input voltage.
- Completely protected system input ports which reduces the damage risk due to human error during installation.
- Possibility of using more software and hardware options by using DEAP device.

Meeting the following standards:

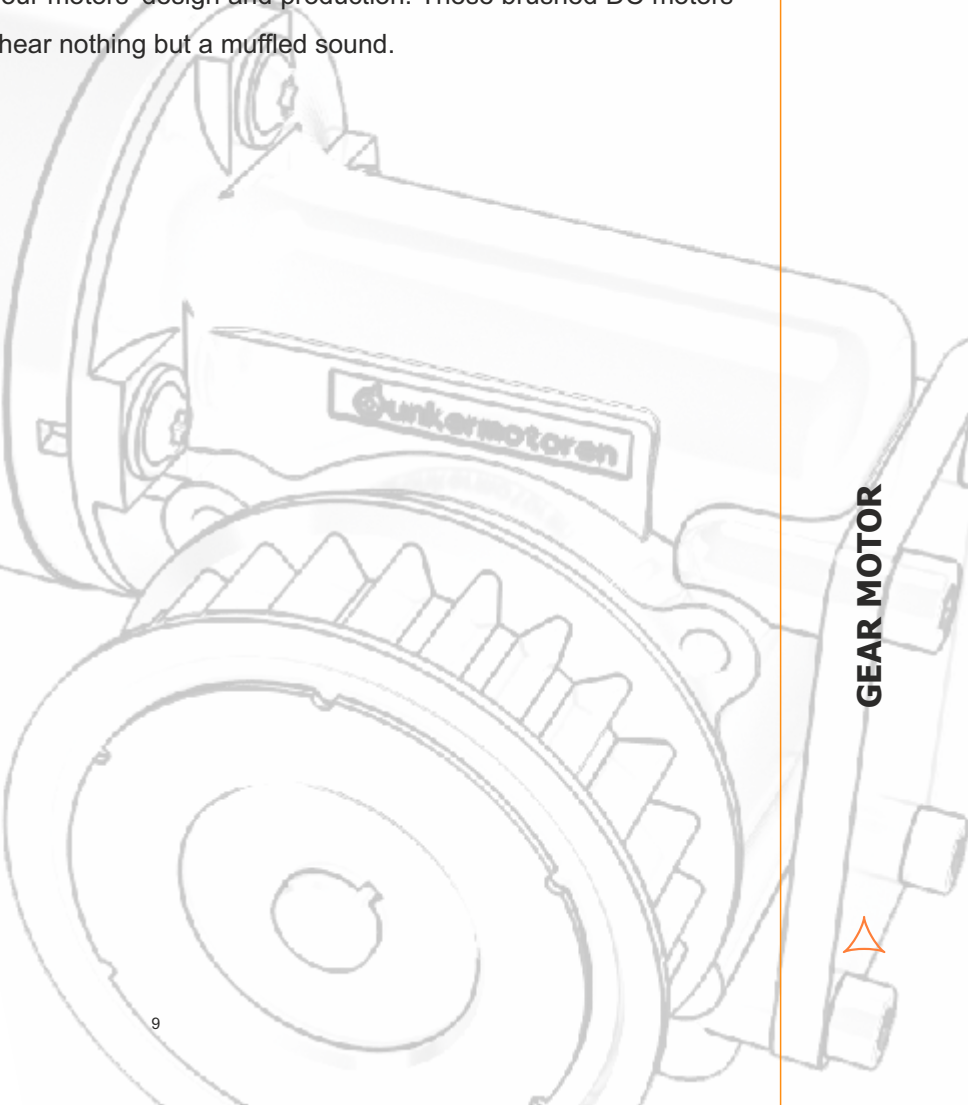
- EN ISO 13849-1:2008
- DIN 18650-2:2010 and DIN 18650-1:2010
- EN 16005:2012
- EN 60335-1:2012







Like its other state-of-the-art parts, Deutchtec PrimeDrive series' motors are fully made in Germany. Their 100W motors are absolutely indestructible and are there to ensure reliable performance for a lifetime. Great efficiency and enhanced function are achieved through employing years of experience and the latest technologies in the process of our motors' design and production. These brushed DC motors are so quiet that while in action, you will hear nothing but a muffled sound.



GEAR MOTOR

Deuschtec PrimeDrive series play the most hauntingly beautiful music: smooth silence! By making use of stainless steel or detachable aluminum track profiles together with rubber profiles, we have managed to present you with trustworthy hard-wearing entry solutions which will please your eyes with their splendor and will treat your ears kindly by their soft performance. Their artistic profiles will also make our PrimeDrive series stay with you for a much longer time. Due to employing anti-noise rubber profiles under track profiles, our door movements are smooth and hushed.



When Deuschtec detachable aluminum track profiles are worn out after a lengthy period of time, they can easily be replaced, which costs much less in comparison with replacing the whole rail.



Since Deuschtec stainless steel track profiles are rust-proof and anti-abrasion, they will never need to be replaced. This will be a great value for your money during time and will prevent any possible complication which may happen when replacing profiles.



POWER LOCK



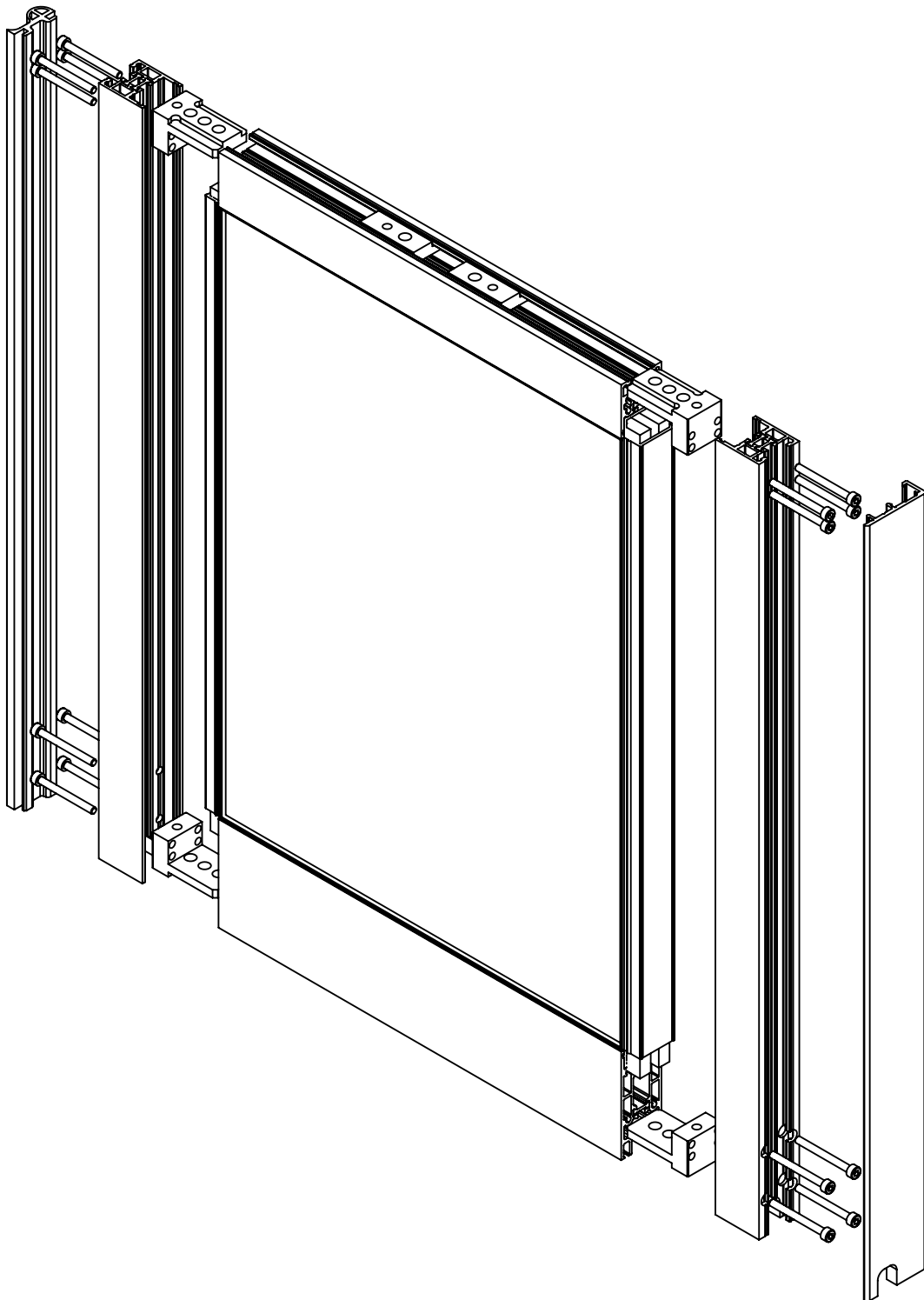
In many cases, there is no real need for (optional) electromechanical lock and buildings ensure security by other means. However, it is necessary for the entrance to be allowed limited access. In this case, power lock free function is a wholesome solution. When the door is locked, if there is pressure on it for becoming open, the motor will use its full power in the opposite direction and make it practically improbable to enter for unauthorized individuals.

HIGHLY SECURE ELECTROMECHANICAL MULTI-POINT LOCK (HSML)

This highly secure electromechanical multi-point lock is a real necessity in places where increased security is demanded. Using steel pins, it will simultaneously lock the leaves together and to the floor, which has been pre-drilled to provide the required holes for the pins. Intruders will be slowed down and stopped due to this lock's power to resist dynamic/static forces and aggressive tools such as wedges.



When saving energy is of importance, TBS frame is an economical and inexpensive solution. Besides being thermal break, it can be coupled with double-glazing glass. Its thinness and also being energy-saver, have made TBS frame a smart gorgeous choice for modern architecture. This type of frame has successfully been tested for escape doors.



FRAMES
TBS - THERMAL BREAK FRAME





TBS

A great choice of frame to pair with this impeccable series is thermal break frames (THB) which by insulating the door against undesired or harsh weather conditions, save the energy and consequently, your budget! Furthermore, since these are incredibly strong frames, they are an ideal option when heavy doors are required.



UTS

This frame is the non-thermal break version of TBS and has all its advantages. Due to not being thermal break, it has an even more competitive price. While enjoying all TBS beauties, for buildings' inside doors and for places where the exchange of cold and hot air does not matter much, UTS is an excellent value.



SATURN

This is a reasonably-priced frame suitable for single-glazing and tempered glass. When you wish to have a glass frontage and yet, prefer to use a thin frame instead of frameless glass, Saturn is a convenient low-priced solution.



FRAMELESS

This full-glass system is the most suitable choice for those who wish to have elegance combined with radiance. These sliding doors provide excellent light exchange between inside and outside.





Battery

We are offering you doors which will never fail. Deuschtec PrimeDrive batteries provide the system with steady flow of energy. Moreover, this series enjoys both 2.2 and 7.2 Ah batteries. In the event of power-cut, the 2.2 Ah battery will provide you with 450 cycles of open/close and the 7.2 Ah one will open and close your door up to 1100 times. No matter what, these doors with their marvelous operating systems will not let you down!



Digital Programme Switch

User-friendly has been given a whole new meaning with this digital programme switch's easy-to-read, full-text display. You will get easy access to all performance data and parameters and for any special need you might have, its adjustment and diagnostic processes can be accurately duplicated or customized. Protection password code is another significant feature of this digital programme switch. Such a terrific "optional" part cannot be ignored!



Electromechanical Slider Lock

Deuschtec Electromechanical slider lock has been a dependable way to safeguard your security all the time. It utilizes steel pins to lock both leaves simultaneously and therefore, is much safer compared to those models which lock the timing belt or just one leaf. Furthermore, since it employs bi-stable mechanism, system's power reset does not affect the lock's state. Due to using powerful batteries and an intelligent circuit, battery usage is reduced to zero when the door is locked and there is a power-cut.*



Mechanical Key Switch

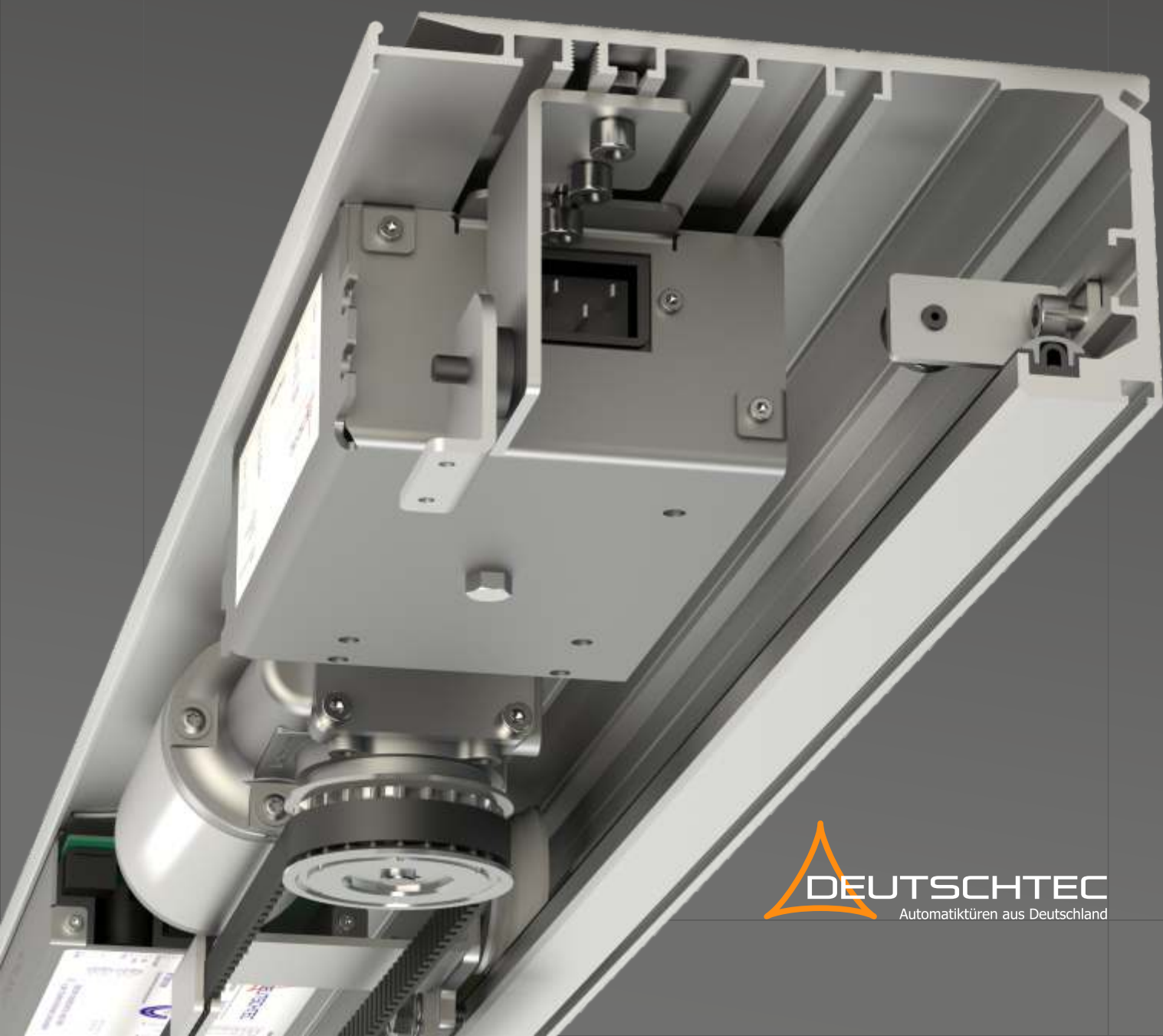
Deuschtec PrimeDrive presents its mechanical key switch with the five modes of full open, partial open, lock, automatic and one-way. Simple yet functional, this is another accessory which will definitely come in handy.

*Thus, even weeks after the input electricity has been cut, the system can open the lock and the door by the key switch, which is an optional accessory and can be installed outside of the entry area.



PRIMEDRIVE

Automatic Sliding Door



Deuschtec GmbH
Am Fuchsbau 13
15345 Petershagen/Eggersdorf
Deutschland

Phone: +49 (0)3341 30 22 4 - 0
Fax: +49 (0)3341 30 22 4 - 25

Web: www.deuschtec.de
Mail: info@deuschtec.de

