



XL
SHOWER
FITTINGS

Shower Fittings
for Tempered
Glass Assemblies

Smart access means Dorma and Kaba Joining Forces



Access Solutions Segments



Master Key Systems

Optimal security with flexible allocation of access rights – for the best possible control, low costs and greater convenience



Door Hardware

Long-life, attractive door technology solutions – for greater on-site convenience, easy assembly and reliable functionality from a single source.



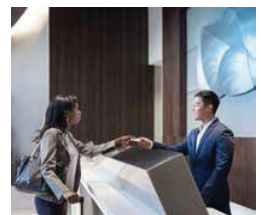
Interior Glass Systems

High-quality system solutions made from glass – for a wide range of everyday and office applications.



Entrance Systems

Automated access solutions – for convenient, automated building access.



Lodging Systems

Hotel locks and locking systems as well as access management solutions for holiday homes – for reliable yet convenient and efficient protection of all kinds of property.

Two strong global brands – Dorma and Kaba – have combined forces and are now offering you a comprehensive portfolio of smart & secure access solutions, all from one, reliable source.

Our door product portfolio includes everything from locks and keys to a fully networked electronic access solution, and everything from door closers and automatic doors to a mobile partition system.



Safe Locks

Security locks – for optimal protection of goods, valuables, information or hazardous substances against unauthorized access.



Electronic Access & Data

Electronic access control and workforce management – for efficient access management, security and data collection.



Services

Tailor-made services and customized maintenance – for the long-term functional integrity of all types of access and security solutions.

Other Segments



Key Systems

Key blanks and key-cutting machines as well as automotive solutions ranging from vehicle keys up to programming devices – for every access situation.



Movable Walls

Flexible, efficient partition wall solutions – for individual space configuration in hotels, conference centers, studios and other venues.

XL SHOWER FITTINGS

For tempered glass assemblies



XL Shower Fittings are economic range series for Complete shower applications

XL shower Fittings are available in following range

XL 1000 series

XL 1000 - B: Shower Brackets

XL 1000 - G: Shower Seals

XL 1000 - H: Shower Hinges

XL 1000 - K: Shower Knobs

XL 1000 - P: Shower Pull Handles

XL 1000 - S: Shower Support bar

XL 2000 series

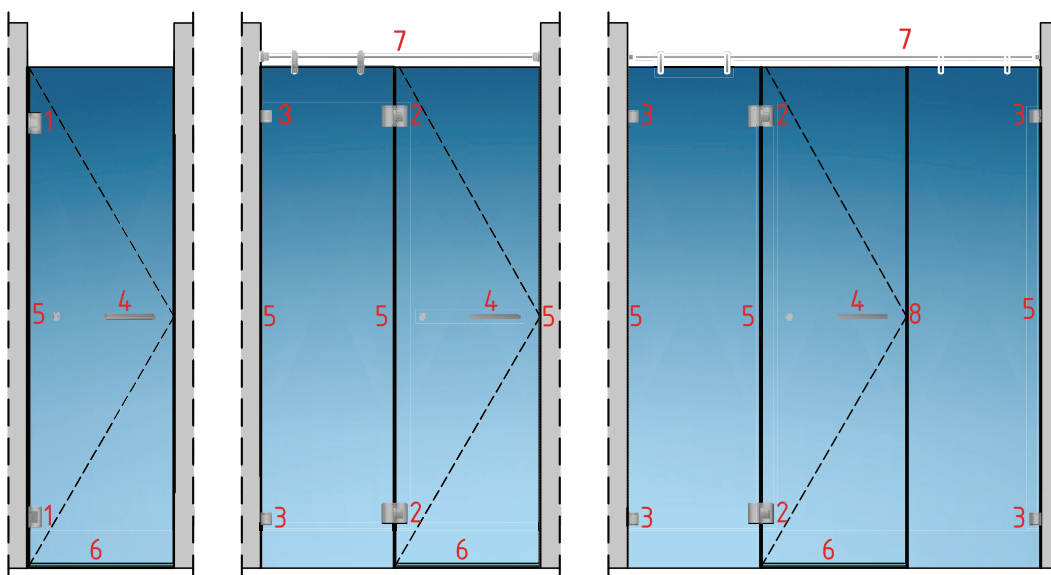
XL 2000 - H: Shower Hinges

XL 2000 - L: Shower Lock

XL 5000 series

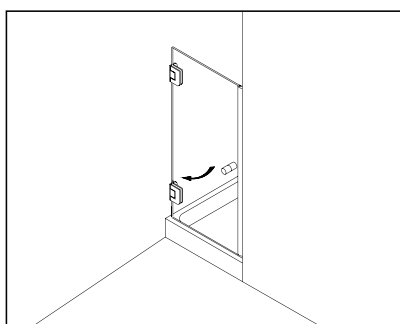
XL 5000 - H: Shower Hinges

XL Shower system:

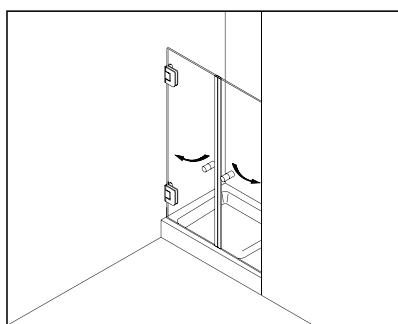


XL Shower Components:

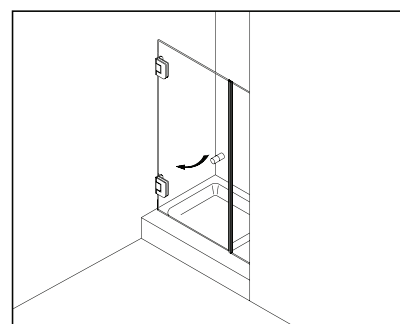
- 1. Glass to wall Hinge
- 2. Glass to Glass Hinge
- 3. Glass to wall Bracket
- 4. Pull Handle
- 5. Water disperser
- 6. Soft nose seal
- 7. Support bar fittings
- 8. Magnetic Seal



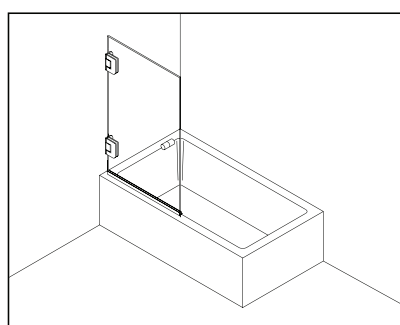
Swing door in a recess



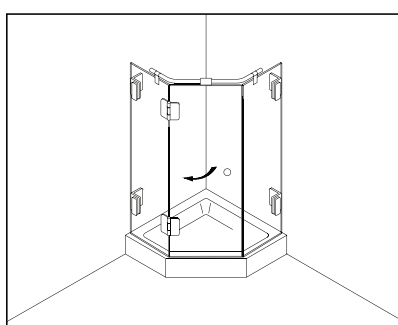
Two swing doors in a recess



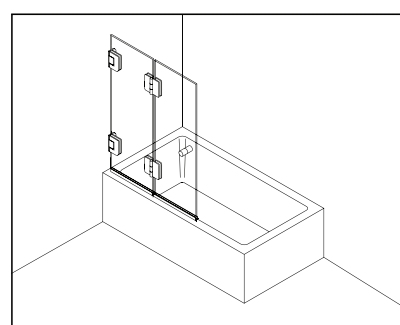
Swing door and in-line panel in recess



Swing door on bath, opens inwards and outwards



Pentagonal shower enclosure with swing door and two in-line panels



Bi-folding door on bath

Technical Details

XL 1000 Series : Shower Hinges (Hxx)

For Glass door weight upto 45Kg



XL1000-H12 Hinge Glass to Wall 90° standard back plate

Art No. 5501927

Glass thickness: 10mm
self-closing angle: 25°
Material: Brass
Finish: Polished Chrome



XL1000-H22 Hinge Glass to Wall 90° offset back plate

Art No. 5503411

Glass thickness: 10mm
self-closing angle: 25°
Material: Brass
Finish: Polished Chrome



XL1000-H32 Hinge Glass to Glass 180°

Art No. 5501931

Glass thickness: 10mm
self-closing angle: 25°
Material: Brass
Finish: Polished Chrome



XL1000-H42 Hinge Glass to Glass 90°

Art No. 5508902

Glass thickness: 10mm
self-closing angle: 25°
Material: Brass
Finish: Polished Chrome



XL1000-H52 Hinge Glass to Glass 135°

Art No. 5500582

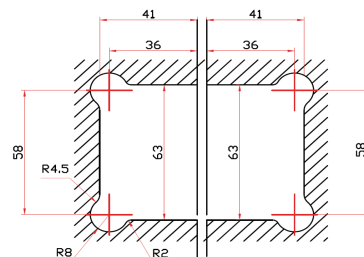
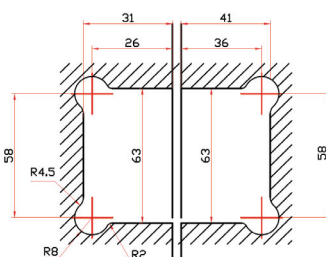
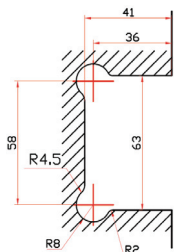
Glass thickness: 10mm
self-closing angle: 25°
Material: Brass
Finish: Polished Chrome

Glass Preparation Details

B58, B68, H12, H16, H22, H42, H46

H26, H52

H32, H36



Technical Details

XL 1000 Series : Shower Brackets (Bxx)



XL1000-B18 Bracket Glass to Wall 90° offset back plate

Art No. 5501924

Glass thickness: 10mm
Material: Brass
Finish: Polished Chrome



XL1000-B28 Bracket Glass to Glass 90°

Art No. 5501925

Glass thickness: 10mm
Material: Brass
Finish: Polished Chrome



XL1000-B38 Bracket Glass to Glass 135°

Art No. 5500584

Glass thickness: 10mm
Material: Brass
Finish: Polished Chrome



XL1000-B48 Bracket Glass to Wall 90° Without Back Plate

Art No. 5500583

Glass thickness: 10mm
Material: Brass
Finish: Polished Chrome



XL1000-B58* Bracket Glass to Wall 90° Standard back plate

Art No. 5509027

Glass thickness: 10mm
Material: Brass
Finish: Polished Chrome



XL1000-B68* Bracket Glass to Wall 90° offset back plate

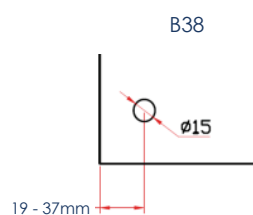
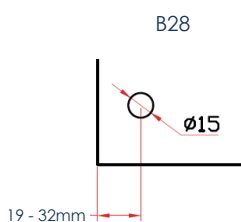
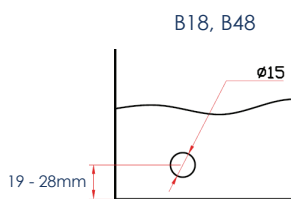
Art No. 5509028

Glass thickness: 10mm
Material: Brass
Finish: Polished Chrome

* Refer Page 09 - 10 for complete accessories

* Refer Page 05 for glass preparation for B58, B68

Glass Preparation Details



XL 5000 Series : Shower Hinges (Hxx)

For Glass door weight upto 55Kg



XL5000-H16 Hinge Glass to Wall 90° standard back plate

Art No. 5508906

Glass thickness: 10 - 12mm
self-closing angle: 25°
Material: Brass
Finish: Polished Chrome



XL5000-H26 Hinge Glass to Glass 135°

Art No. 5508907

Glass thickness: 10 - 12mm
self-closing angle: 25°
Material: Brass
Finish: Polished Chrome



XL5000-H36 Hinge Glass to Glass 180°

Art No. 5508908

Glass thickness: 10 - 12mm
self-closing angle: 25°
Material: Brass
Finish: Polished Chrome



XL5000-H46 Hinge Glass to Wall 90° offset back plate

Art No. 5508909

Glass thickness: 10 - 12mm
self-closing angle: 25°
Material: Brass
Finish: Polished Chrome

Refer below for complete range of shower solution:

Shower Bracket (Bxx)

Accessories (Handles , Knobs, Lock and seals)

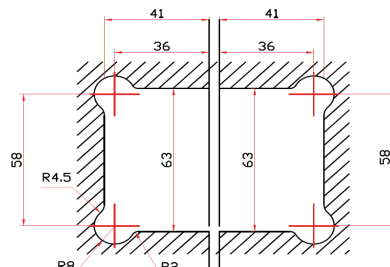
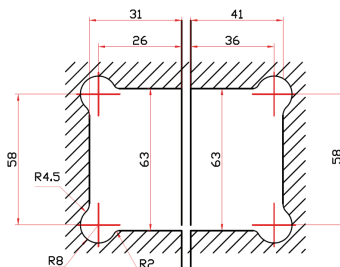
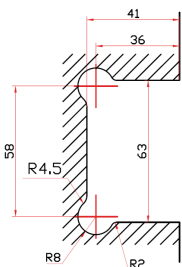
Page No : 06
Page No : 09 - 10

Glass Preparation Details

B58, B68, H12, H16, H22, H42, H46

H26, H52

H32, H36



Technical Details

XL 2000 Series : Shower Hinges (Hxx)

For Glass door weight upto 45Kg



XL2000-H15 Rectangular Hinge Glass to Wall 90° standard back plate

Art No. 5508903

Glass thickness: 10mm
 self-closing angle: 25°
 Material: Brass
 Finish: Polished Chrome
 Max. Weight per panel : 45KG



XL2000-H25 Rectangular Hinge Glass to Glass 135°

Art No. 5508904

Glass thickness: 10mm
 self-closing angle: 25°
 Material: Brass
 Finish: Polished Chrome
 Max. Weight per panel : 45KG



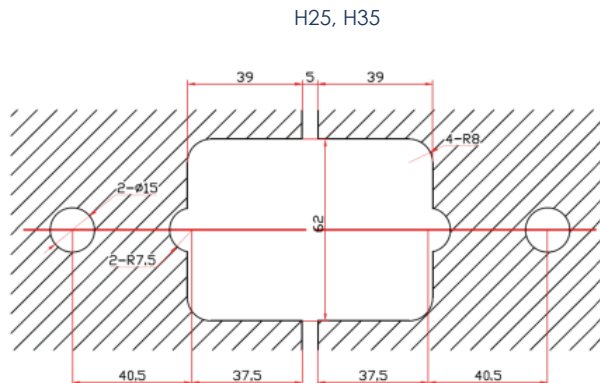
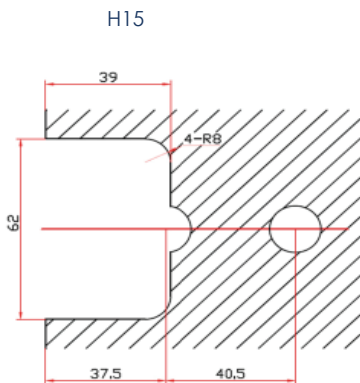
XL2000-H35 Rectangular Hinge Glass to Glass 180°

Art No. 5508905

Glass thickness: 10mm
 self-closing angle: 25°
 Material: Brass
 Finish: Polished Chrome
 Max. Weight per panel : 45KG

Refer page 06 for shower Brackets (Bxx) in
 Refer Page 09 - 10 for accessories (Handles , Knobs, Lock and seals)

Glass Preparation Details



XL Shower Accessories

XL 2000 Series : Shower Lock (L10)



XL2000-L10 Lock Glass to Glass 180°

Art No. 5509029

Glass thickness: 10mm
Material: Brass
Finish: Polished Chrome

XL 1000 Series : Shower Knobs (Kxx)



XL1000-K17 Knob with Ring groove grip

Art No. 5501918

Glass thickness: 10mm
Material: Brass
Finish: Polished Chrome



XL1000-K27 Knob with pressed grip

Art No. 5508910

Glass thickness: 10mm
Material: Brass
Finish: Polished Chrome



XL1000-K17 Knob with Round groove grip

Art No. 5508911

Glass thickness: 10mm
Material: Brass
Finish: Polished Chrome

XL 1000 Series : Shower Pull handles (Pxx)

Cylindrical profile handles in SS304 Grade



XL1000-P18 Round handle and towel bar with Decorative Rings

Art No. 5501922

Glass thickness: 10mm
Handle length: 300mm
Towel bar length : 600mm
Finish: Polished stainless steel



XL1000-P28 Round handle with Knob

Art No. 5508912

Glass thickness: 10mm
Handle length: 300mm
Finish: Polished stainless steel



XL1000-P38 Round handles back to back with Decorative Rings

Art No. 5508913

Glass thickness: 10mm
Handle length: 300mm
Finish: Polished stainless steel



XL1000-P48 Round handle with Decorative Rings

Art No. 5509030

Glass thickness: 10mm
Handle length: 600mm
Finish: Polished stainless steel

XL Shower Accessories

XL 1000 Series : Shower Pull handles (Pxx)

Square profile handles in SS304 Grade



XL1000-P58 Square handles back to back

Art No. 5509031

Glass thickness: 10mm
 Handle length: 300mm
 Finish: Polished stainless steel



XL1000-P68 Square handles back to back Offset type

Art No. 5509032

Glass thickness: 10mm
 Handle length: 300mm
 Finish: Polished stainless steel



XL1000-P78 Square handle and towel bar

Art No. 5509033

Glass thickness: 10mm
 Handle length: 300mm
 Towel bar length : 600mm
 Finish: Polished stainless steel



XL1000-P88 Square handle

Art No. 5509034

Glass thickness: 10mm
 Handle length: 300mm
 Finish: Polished stainless steel

XL 1000 Series : Shower Seals (Gxx)



XL1000-G11 Shower Water Dispenser seal

Art No. 5504031

Glass thickness: 10mm
 Stock Length: 2.5M



XL1000-G21 Shower Soft Nose seal

Art No. 5501933

Glass thickness: 10mm
 Stock Length: 2.5M



XL1000-G31 Shower Lip seal

Art No. 5508915

Glass thickness: 10mm
 Stock Length: 2.5M



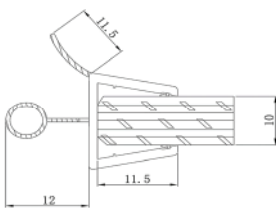
XL1000-G41 Shower Magnetic 90° or 180° seal

Art No. 5501935

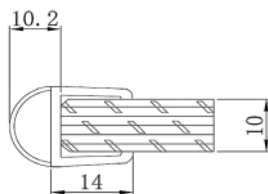
Glass thickness: 10mm
 Stock Length: 2.5M

Dimensions

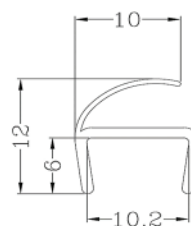
Water Dispenser



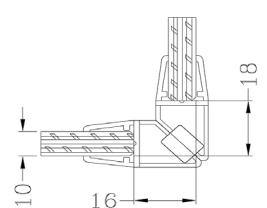
Soft nose Seal



Lip Seal



Magnetic Seal



XL 1000 Series : Shower Support Bars (Bxx)

Round profile Off-set support bar solution in SS304 Grade



XL1000-S11 Round Support bar

Art No. 5508814

Glass thickness: 10mm
Diameter: 22mm
Stock Length: 1075mm
Finish: Polished Chrome



XL1000-S41 Offset Round support bar fitting

Art No. 5508340

Glass thickness: 10mm
Diameter: 22mm
Finish: Polished Chrome



XL1000-S51 Round support Bars Connector

Art No. 5503404

Diameter: 22mm
Finish: Polished Chrome



XL1000-S31 End Round Support bar wall fitting

Art No. 5503420

Finish: Polished Chrome

XL 1000 Series : Shower Support Bars (Bxx)

Round profile In-line support bar solution in SS304 Grade



XL1000-S11 Round Support bar

Art No. 5508814

Glass thickness: 10mm
Diameter: 22mm
Stock Length: 1075mm
Finish: Polished Chrome



XL1000-S21 Glass fitting for round support bar

Art No. 5503419

Glass thickness: 10mm
Finish: Polished Chrome



XL1000-S51 Round support Bars Connector

Art No. 5503404

Diameter: 22mm
Finish: Polished Chrome



XL1000-S61 End Round Support bar Glass fitting

Art No. 5503403

Finish: Polished Chrome

XL1000-S31 End Round Support bar wall fitting

Finish: Polished Chrome



Art No. 5503420

XL Shower Accessories

XL 1000 Series : Shower Support Bars (Bxx)

Square profile Off-set support bar solution in SS304 Grade



XL1000-S12 Square Support bar

Art No. 5508959

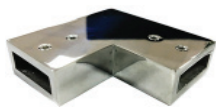
Glass thickness: 10mm
Dimension: 10 x 30mm
Stock Length: 1500mm
Finish: Polished Chrome



XL1000-S42 Offset Square support bar fitting

Art No. 5508962

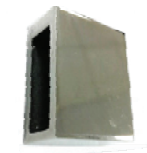
Glass thickness: 10mm
Dimension: 30 x 10mm
Finish: Polished Chrome



XL1000-S52 Square Offset support Bars Connector

Art No. 5508963

Dimension: 10 x 30mm
Finish: Polished Chrome



XL1000-S32 End Square Support bar wall fitting

Art No. 5508961

Finish: Polished Chrome

XL 1000 Series : Shower Support Bars (Bxx)

Square profile In-linesupport bar solution in SS304 Grade



XL1000-S12 Square Support bar

Art No. 5508959

Glass thickness: 10mm
Dimension: 10 x 30mm
Stock Length: 1500mm
Finish: Polished Chrome



XL1000-S22 Glass fitting for Square support bar

Art No. 5508960

Glass thickness: 10mm
Finish: Polished Chrome



XL1000-S72 Square Standard support Bars Connector

Art No. 5508965

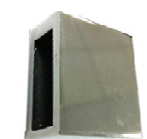
Dimension: 10 x 30mm
Finish: Polished Chrome



XL1000-S62 End Square Support bar Glass fitting

Art No. 5508964

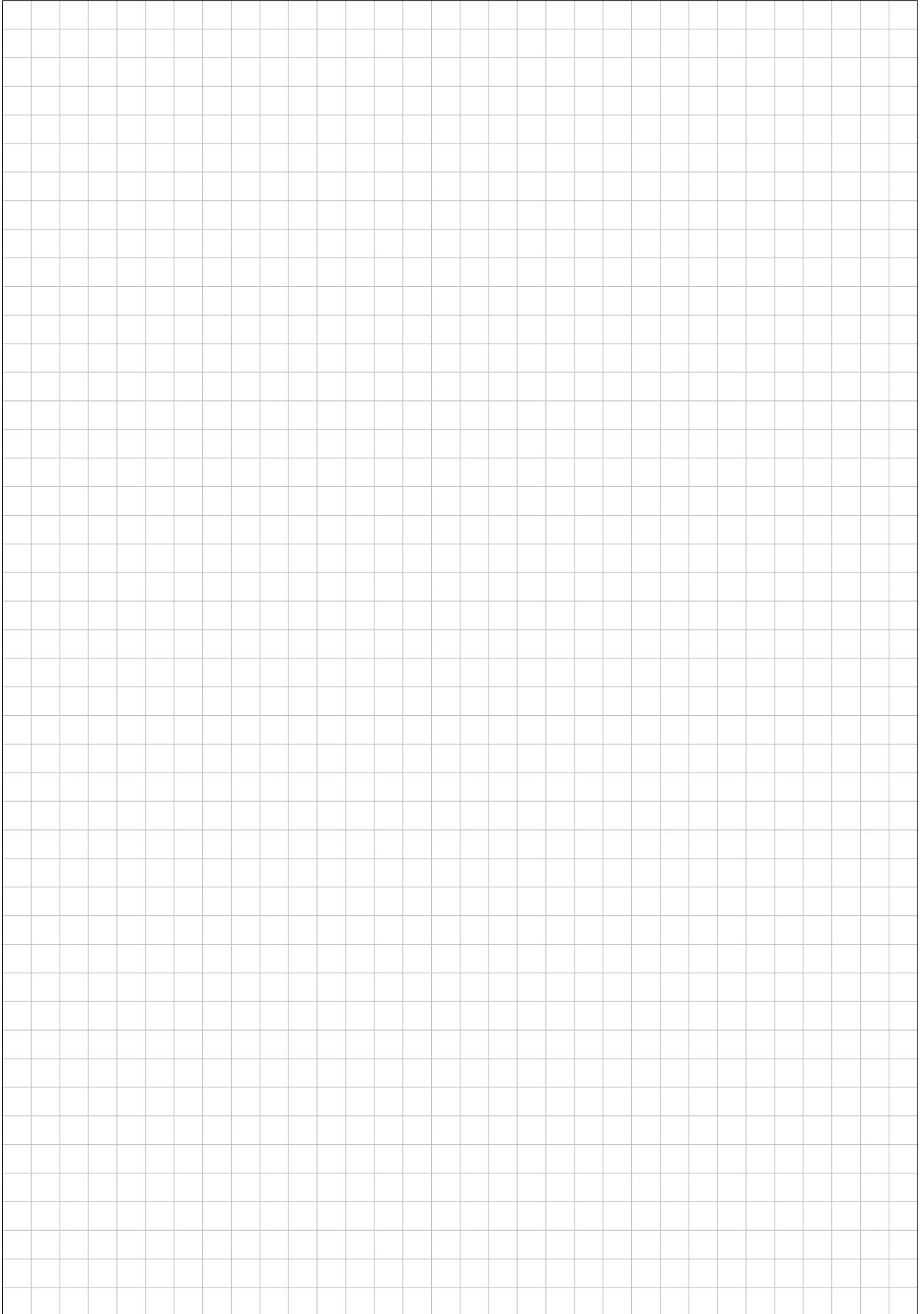
Finish: Polished Chrome



XL1000-S32 End Square Support bar wall fitting

Art No. 5508961

Finish: Polished Chrome



Middle East and Africa

head office :+971 4 8020 400

United Arab Emirates

Dubai office :+971 4 388 1419

Abu Dhabi office :+971 2 641 9860

Saudi Arabia

Riyadh office :+966 1 464 5765

Damam office :+966 3 864 8261

Jeddah office :+966 2 606 8155

Kuwait office :+965 2471 6584

Qatar office :+974 4 451 7372

South Africa

office :+27 11 510 1500

Headquarters:

dorma+kaba Group

Hofwisenstrasse 24 8153

Rumlang, Switzerland.