



## ES 75 Easy

Sliding Door Operator

## Flexible, simple and modular

It is time to rethink sliding door operators. The new DORMA ES 75 Easy in the attractive DORMA design stands for simple automation of sliding door units in all areas of application. It is the innovative drive system for door units up to 2 x 80kg, in a modular construction with world-wide tried and trusted electronics and new mechanics comprised of only a few components with only 105mm profile height.

The ES75 Easy is the optimum solution for all customers who require simple assembly, low storage costs and ease of maintenance. With high quality engineering and finish the ES75 Easy is a particularly cost-effective sliding door operator made with DORMA's world renowned high quality and expertise.

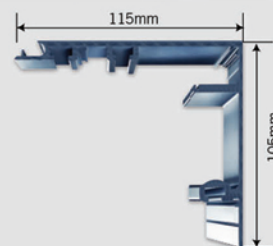
The new ES75 Easy operator is suitable for many different

applications and can be combined with all customary door profiles. It offers a number of adjustment possibilities, has excellent operating characteristics and is easy to install and maintain.

The self-learning microprocessor controller guarantees reliable operation, ensures dynamic and smooth movements and fulfils the highest safety requirements. The setting of all parameters is carried out quickly and easily via an integrated display with push-buttons. Operation is extremely simple and menu-assisted. Additional programming equipment is not required.

DORMA supplies, as the optimum supplement, program switches and pulse senders as well as door profiles specially matched to the drive.

### ES 75 Easy Carriage Section View

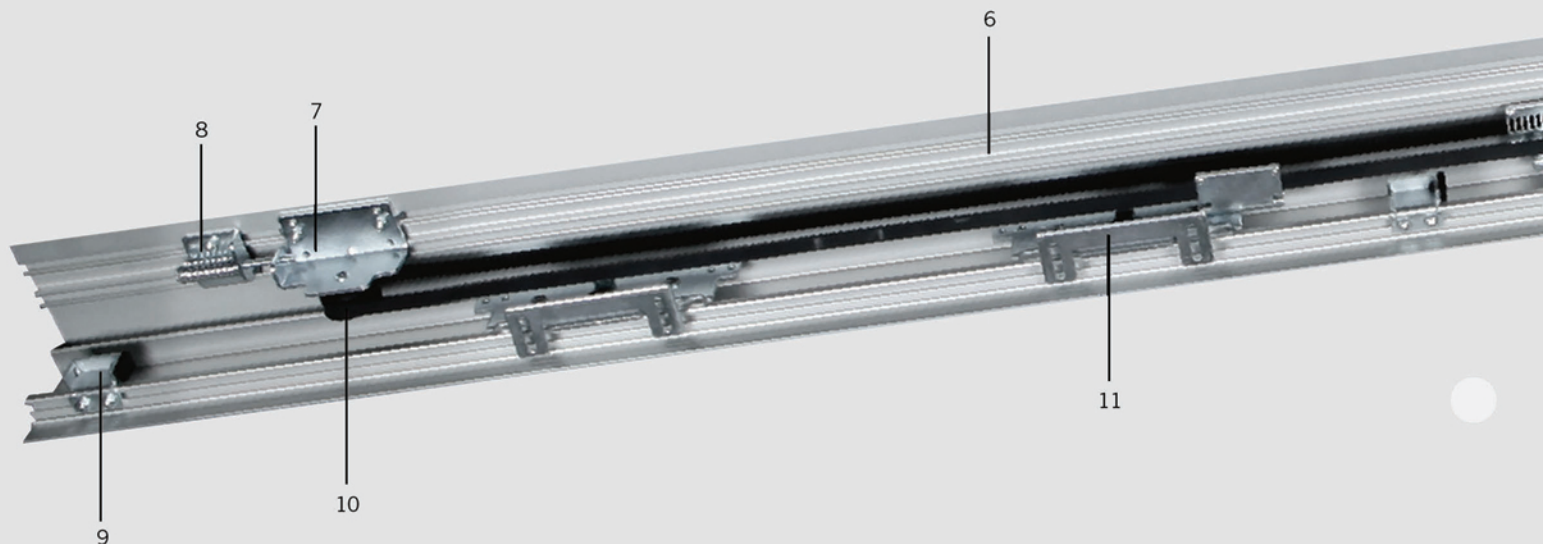


### Features and advantages

- Modular, flexible system
- For door units up to 2 x 80 kg
- Problem-free adaptation to individual requirements
- Low number of system components
- Industrially prefabricated and tested MiniDriveUnit
- Easy assembly of drive systems
- Multi-functional control, commissioning without programming equipment
- Easy fixing and commissioning
- Can be combined with all customary door profiles
- Reliable function and high safety standards
- Smooth movement
- Complete program at program switches
- Numerous standard connections
- Reliable investment due to compliance with all relevant European standards

### Components

- |                  |                             |
|------------------|-----------------------------|
| 1 Transformer    | 7 Deflection roller support |
| 2 Controller     | 8 Tension device            |
| 3 Motor          | 9 End stopper               |
| 4 Belt           | 10 Deflection roller        |
| 5 Belt connector | 11 Door suspension          |
| 6 Carriage       |                             |

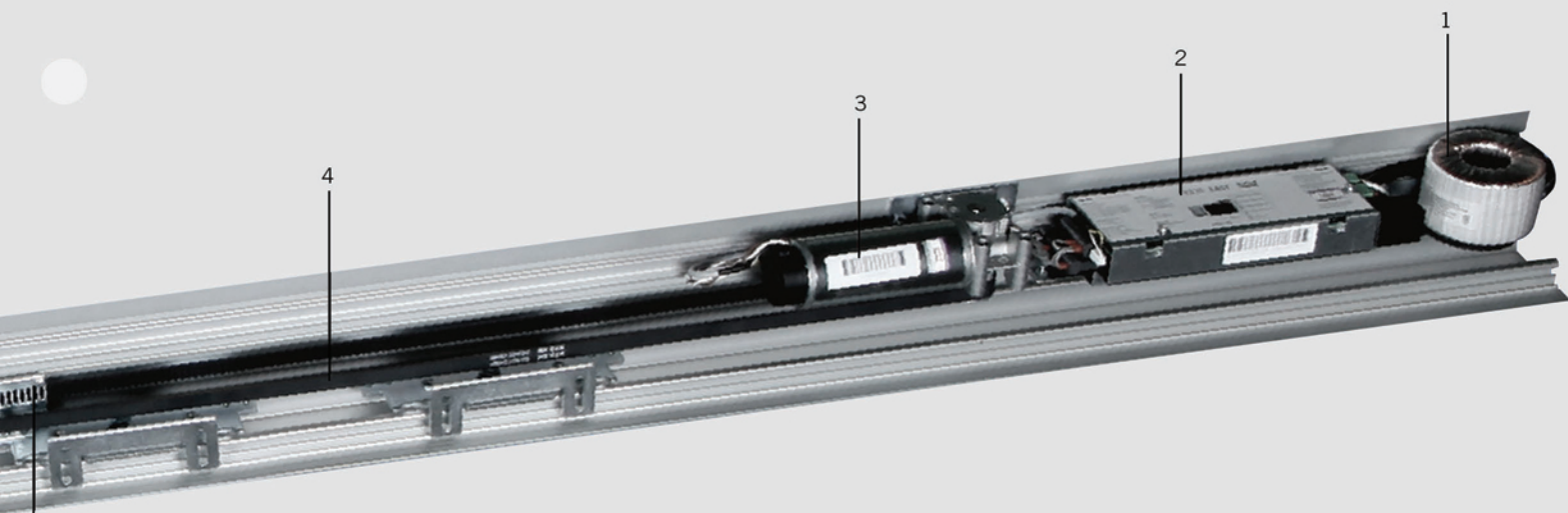


Door parameters	ES 75 Easy
1-panel sliding door: - Transit width LW - Door panel weight, max.	700-1100 mm 1 x 100kg
2-panel sliding door: - Transit width LW - Door panel weight, max.	700-2200mm 2 x 80kg

Technical data	
Height	105mm
Depth	115mm
Opening and closing force max. 150N	●
Opening speed (incremental setting)	10-50 cm/s
Closing speed (incremental setting)	10-40 cm/s
Hold-open time	0.5-30 sec
Mains voltage, frequency	230V, 50/60Hz
Power consumption	150W
International protection	IP20
Tested according to low-voltage guidelines	●

Control unit	
Microprocessor controller	●
Functional programs	●
- Off	●
- Automatic	●
- Permanent open	●
Emergency off	●
Self-learning	●
Automatic reversing	●
Setting of basic parameters via integrated display and push-buttons	●
24 V output for external consumption	●
Error code display	●
3 way program switch	○
Light barriers	○
Lock + battery	NA

- standard
- optional



雷 Radar Sensor

马达 Motor

控制 Controller



## Pushbuttons

### Pushbuttons



Designation	Specification	Installation system	Order No.
Pushbutton	Single-pole changeover contact, standard frame, white, flush-mounting	System 55	19144701170

### Key switch



Designation	Specification	Order No.
KT 3-1	1 NO contact, with Euro profile half-cylinder (can be replaced by any half-cylinder of a master-key system), you can only withdraw the key when it is in zero position, aluminium, metal, 75 x 75 x 60 mm	
KT 3-1 AP	surface-mounting	05054631332

## Switches

### Switches

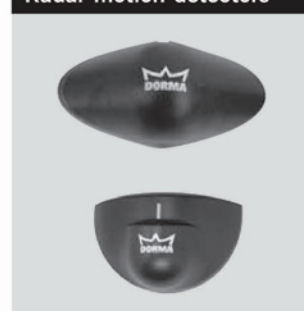


Designation	Specification	Installation system	Order No.
On / Off switch	white, aluminium, flush-mounting, 80 x 80 mm	Gira S-Color	19135403150
Radar switch	„MAGIC SWITCH“, proximity-type radar switch responds to movement, for flush-mounting, 80 x 80 mm		05076831332

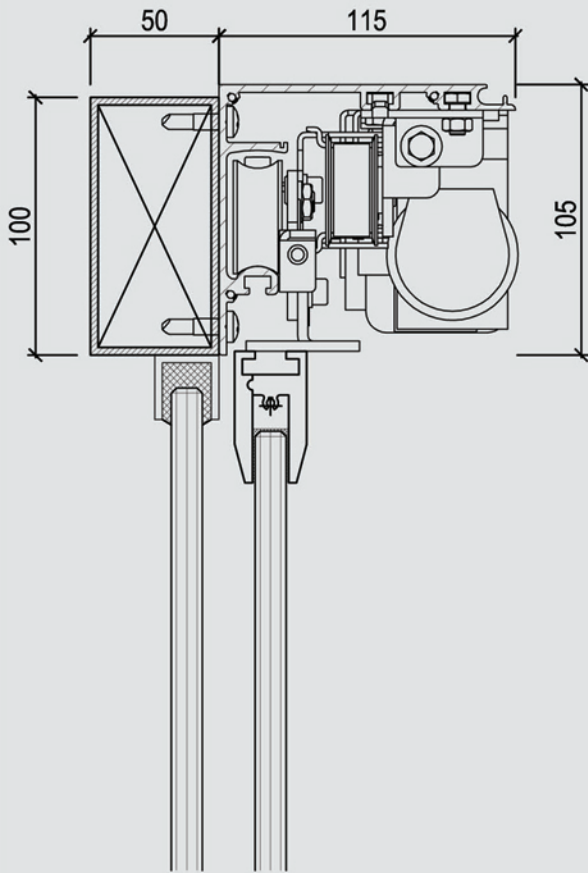
### System accessories



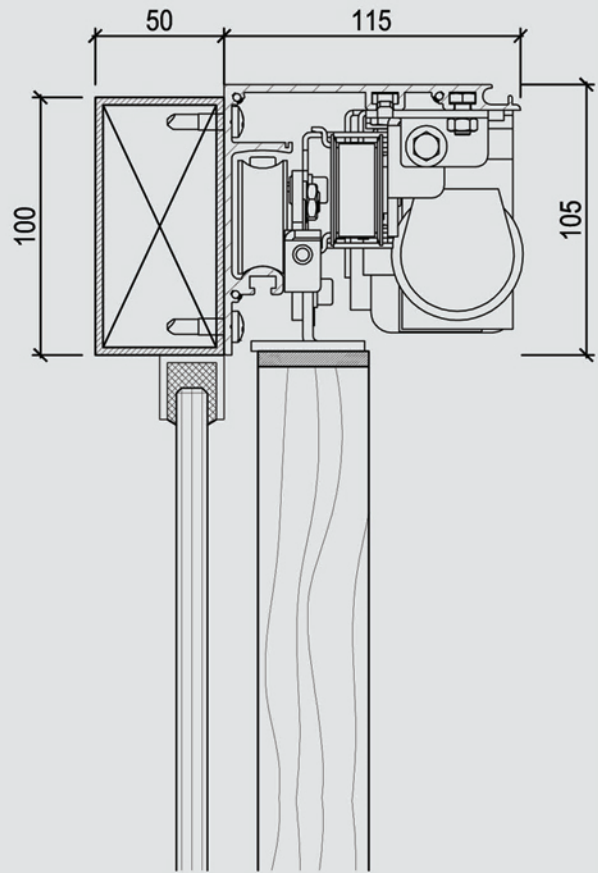
### Radar motion detectors



- Directional sensitive, standard version
- Directional non-sensitive
- Radar detector for any combination
- No effect on pacemakers due to the low output, approx. 2 mW

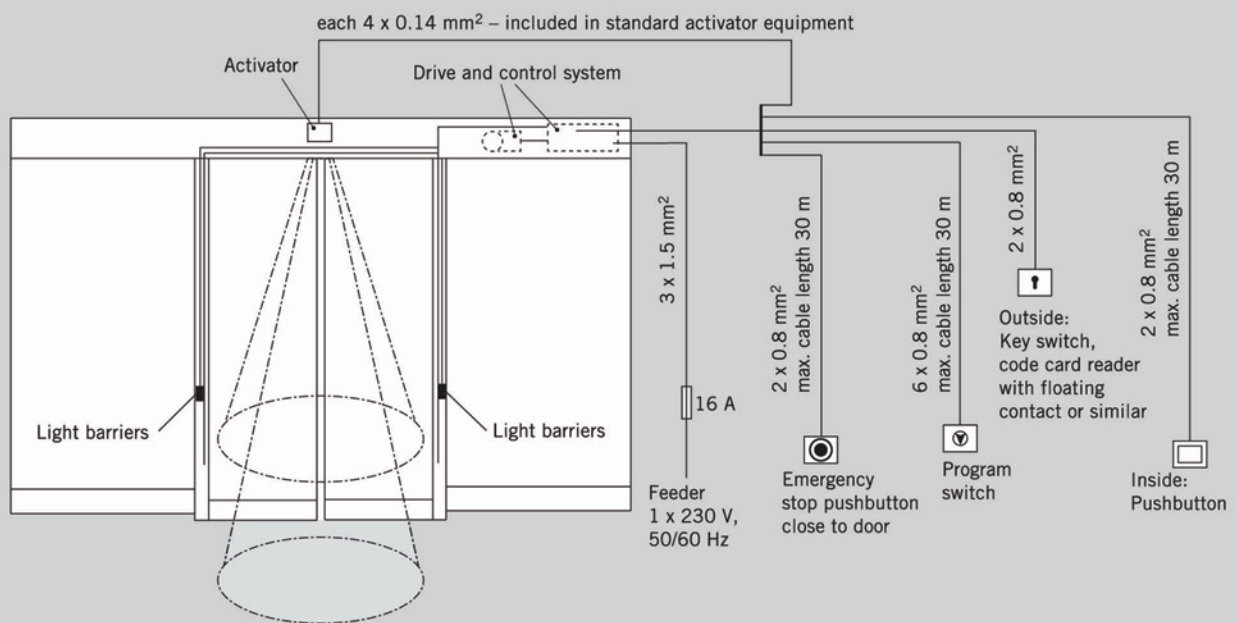


DORMA ES SERIES AUTOMATIC SLIDING  
DOOR OPERATOR WITH GLASS CLAMPING  
RAIL FIXINGS



DORMA ES SERIES AUTOMATIC SLIDING  
DOOR OPERATOR WITH TIMBER /  
ALUMINIUM PANEL FIXINGS

### Connections





**Door Control**



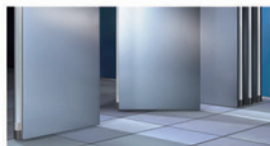
**Automatic**



**Glass Fittings  
and Accessories**



**Security/Time  
and Access (STA)**



**Movable Walls**

**DORMA Far East Pte. Ltd.**

**Singapore**

31 Gul Lane  
Singapore 629425  
Tel : +65 6268 7633  
Fax : +65 6265 7995  
+65 6459 0137  
Co. Reg. No. 1981-03135-W

**Kuala Lumpur, Malaysia**

Tel : +603 7665 1683  
Fax : +603 7665 1680

**Senai, Johore, Malaysia**

Tel : +60 7 5985 730  
Fax : +60 7 5985 729

**Indonesia**

Tel : +62 21 754 7658/9  
Fax : +62 21 754 7659

**Philippines**

Tel : +63 2 893 4077/8  
Fax : +63 2 845 1108

**Taiwan**

Tel : +886 2 2709 6611  
Fax : +886 2 2709 9911

**Thailand**

Tel : +66 2 236 4994/5/6  
Fax : +66 2 236 4997

**Vietnam**

Tel : +84 8 62 888 748  
Fax : +84 8 62 888 701